

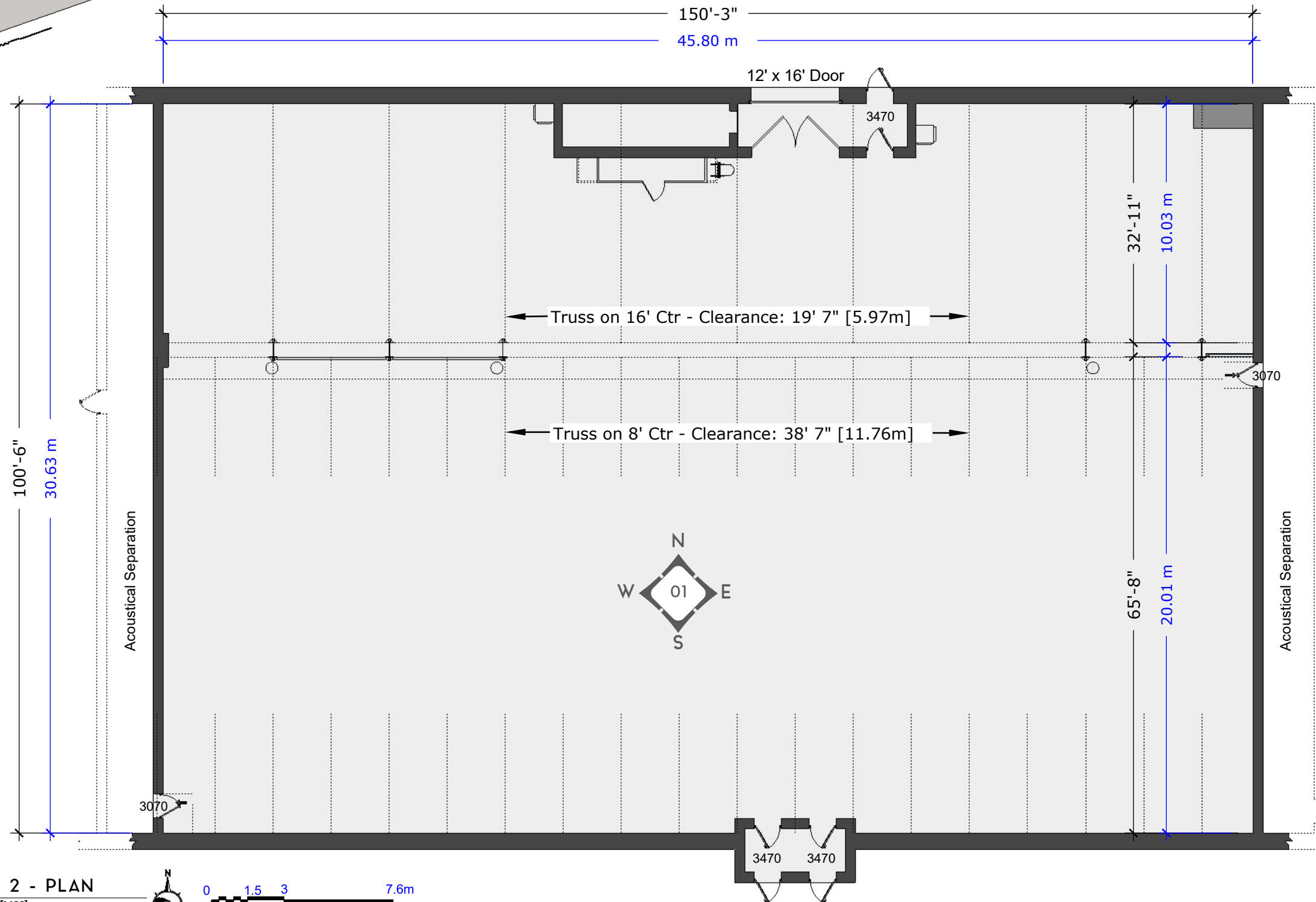
2400 BOUNDARY ROAD  
 BURNABY B.C. V5M3Z3  
 CANADA

T: 604.482.2000  
 F: 604.482.2007

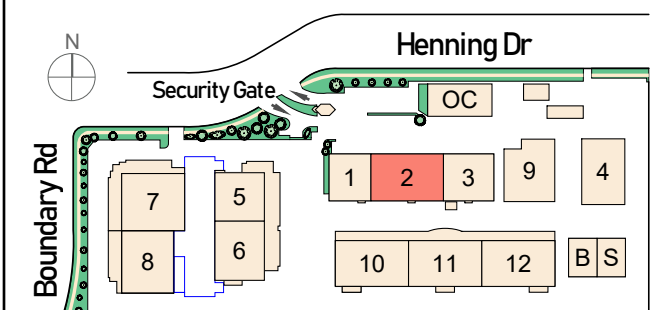
## SOUND STAGE: 2

### FEATURES

- 15,000 sq.ft. [4572m sq.]
- Soundproof
- Elephant Doors
- 1800amps 120/208v
- GRID = 7,500 Total lbs./Truss
- Reverb. Time = 1 sec @500hz



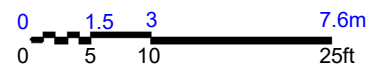
### SITE LEGEND

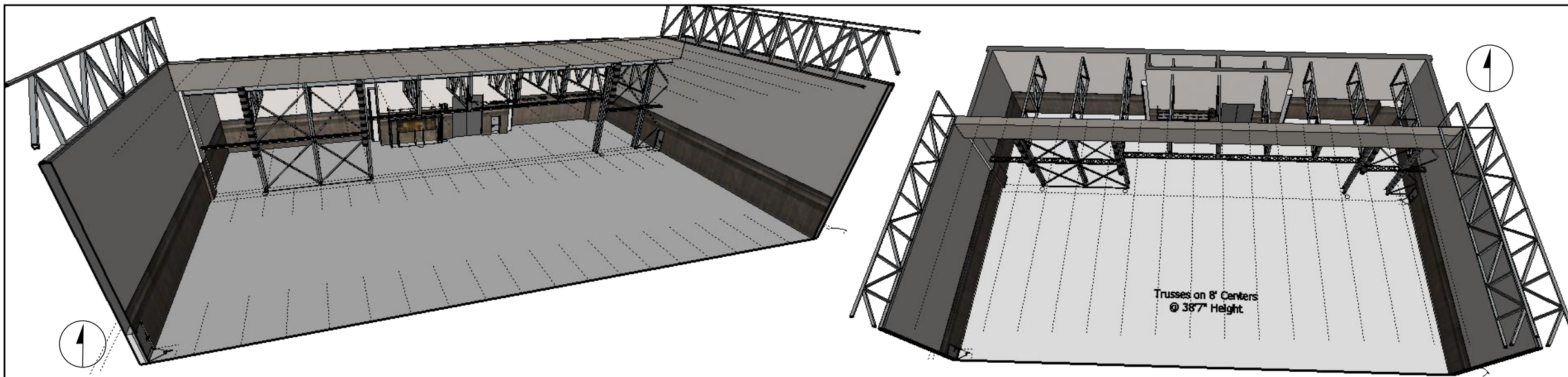


S2

### STAGE 2 - PLAN

scale: 1/16" = 1' [1:192]



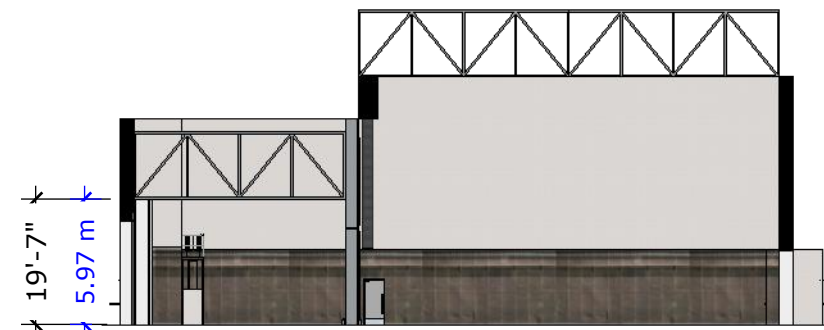


2400 BOUNDARY ROAD  
BURNABY B.C. V5M3Z3  
CANADA

T: 604.482.2000  
F: 604.482.2007



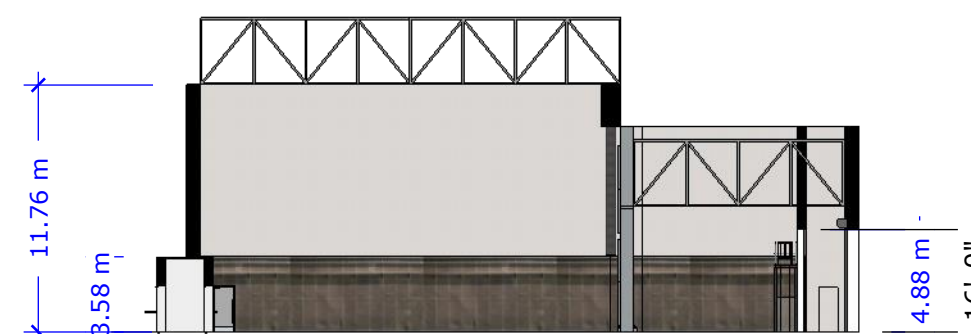
**N** ELEV NORTH  
scale: 1" = 30' [1:360]



**E** ELEV EAST  
scale: 1" = 30' [1:360]



**S** ELEV SOUTH  
scale: 1" = 30' [1:360]



**W** ELEV WEST  
scale: 1" = 30' [1:360]

## SOUND STAGE: 2

### FEATURES

- 15,000 sq.ft. [4572m sq.]
- Soundproof
- Elephant Doors
- 1800amps 120/208v
- GRID = 7,500 Total lbs./Truss
- Reverb. Time = 1 sec @500hz

### SITE LEGEND

